



# Installation instructions, accessories

Volvo Car Corporation Gothenburg, Sweden

| Instruction No | Version | Part. No. |
|----------------|---------|-----------|
| 31414774       | 1.3     | 31399006  |

## Protective plate, beneath the engine



# Installation instructions, accessories

Volvo Car Corporation Gothenburg, Sweden

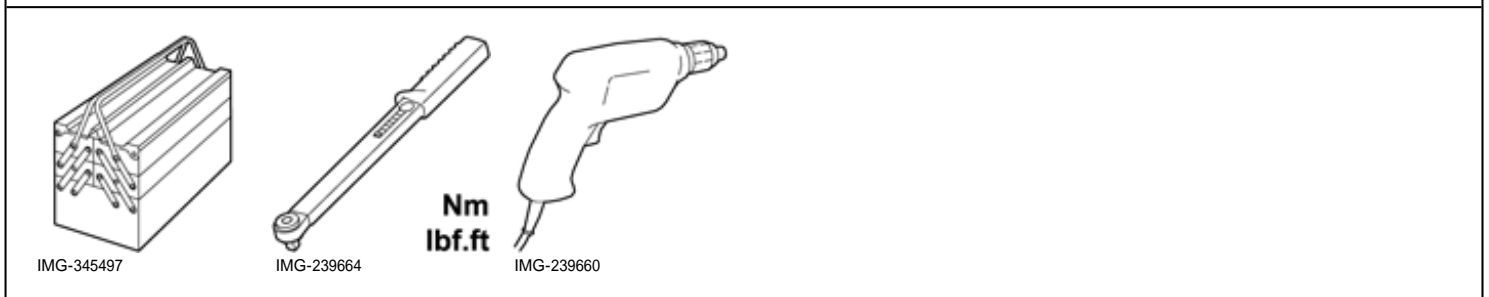
## Special tools

|  |  |
|--|--|
|  | 981 4112 Drill<br>Tool number:981 4112<br>Tool description:Drill<br>Tool boards:EU99                 |
|  | 951 2782 Rivet nut tool<br>Tool number:951 2782<br>Tool description:Rivet nut tool<br>Tool boards:08 |

## Materials

| Designation                   | Part number |
|-------------------------------|-------------|
| Rust inhibitor, low viscosity |             |

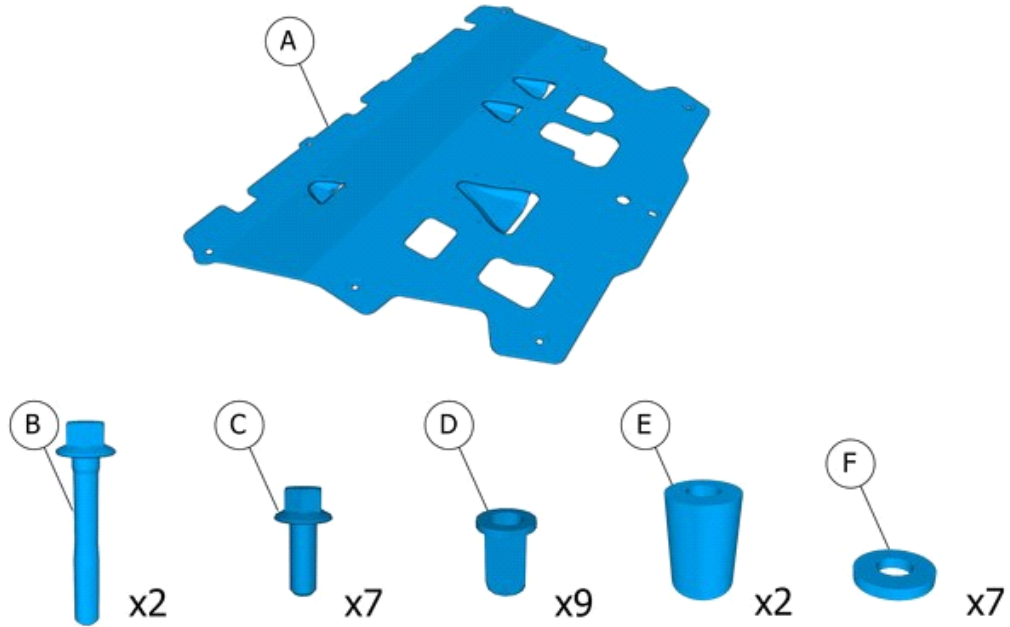
## Equipment





# Installation instructions, accessories

Volvo Car Corporation Gothenburg, Sweden



IMG-382674



# Installation instructions, accessories

Volvo Car Corporation Gothenburg, Sweden

## Information

1

Read through all of the instructions before starting installation.

Notifications and warning texts are for your safety and to minimise the risk of something breaking during installation.

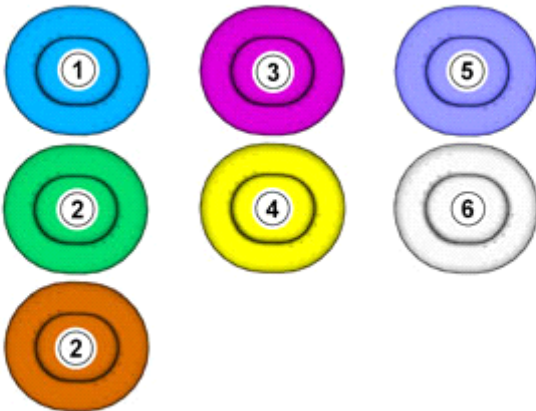
Ensure that all tools stated in the instructions are available before starting installation.

Certain steps in the instructions are only presented in the form of images. Explanatory text is also given for more complicated steps.

In the event of any problems with the instructions or the accessory, contact your local Volvo dealer.

## Color symbols

2



IMG-363036

### Note!

This colour chart displays (in colour print and electronic version) the importance of the different colours used in the images of the method steps.

- Used for focused component, the component with which you will do something.
- Used as extra colors when you need to show or differentiate additional parts.
- Used for attachments that are to be removed/installed. May be screws, clips, connectors, etc.
- Used when the component is not fully removed from the vehicle but only hung to the side.
- Used for standard tools and special tools.
- Used as background color for vehicle components.

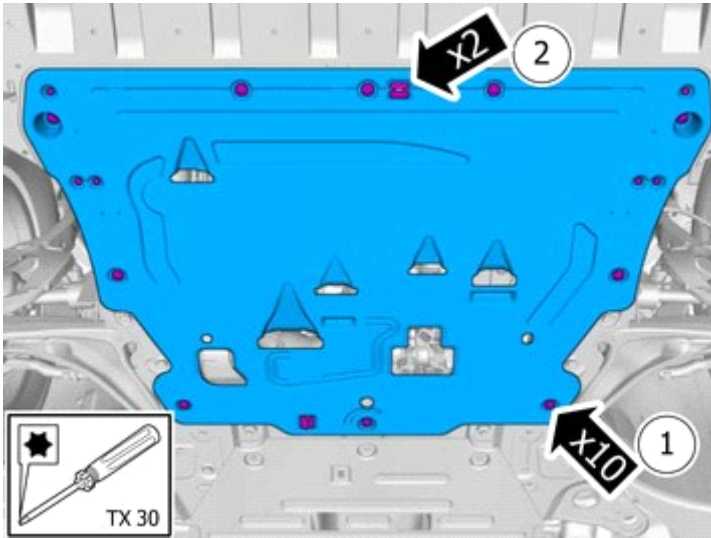
## Removal



# Installation instructions, accessories

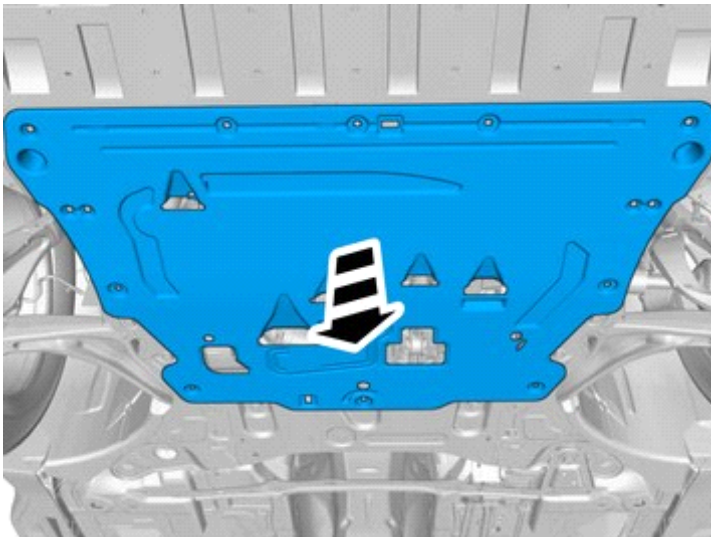
Volvo Car Corporation Gothenburg, Sweden

3



- Remove the screws.
  - Remove the clips.
- The part is not to be reused.

4



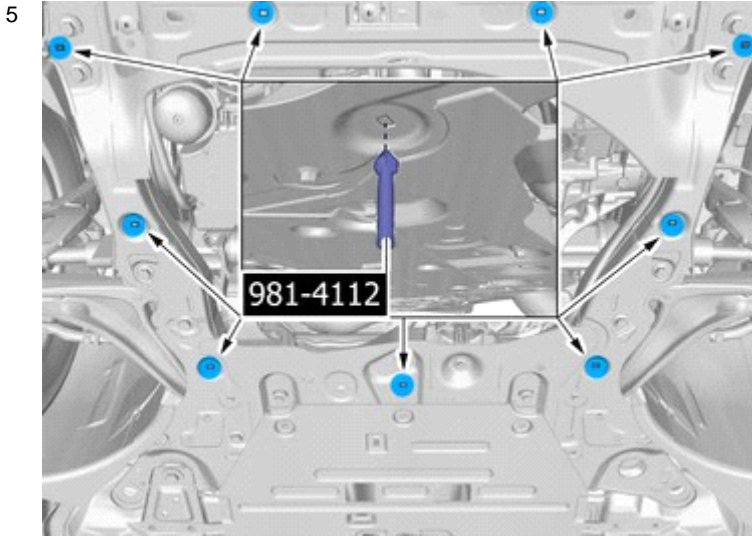
- Remove the panel.
- The part is not to be reused.

## Accessory installation



# Installation instructions, accessories

Volvo Car Corporation Gothenburg, Sweden



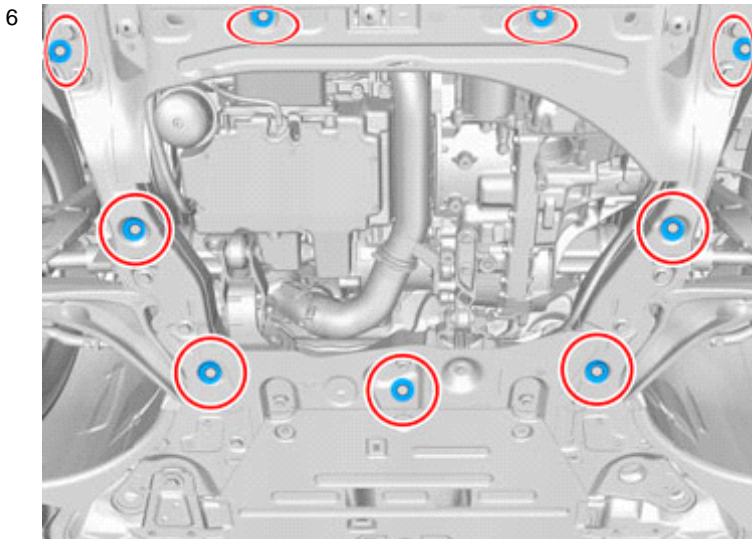
IMG-382659

**Warning!**  
Wear protective gloves.

**Warning!**  
Wear safety goggles.

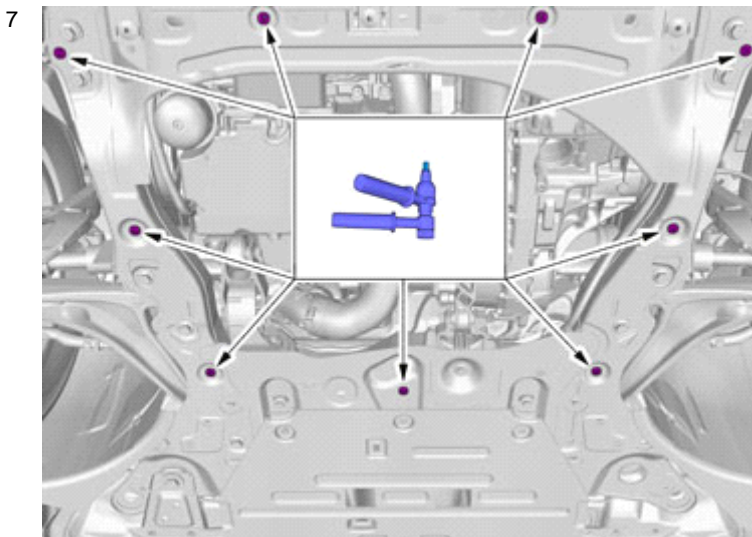
Drill the holes.

**Use special tool:** T9814112, Drill



IMG-382663

**Use:** , Rust inhibitor, low viscosity



IMG-382636

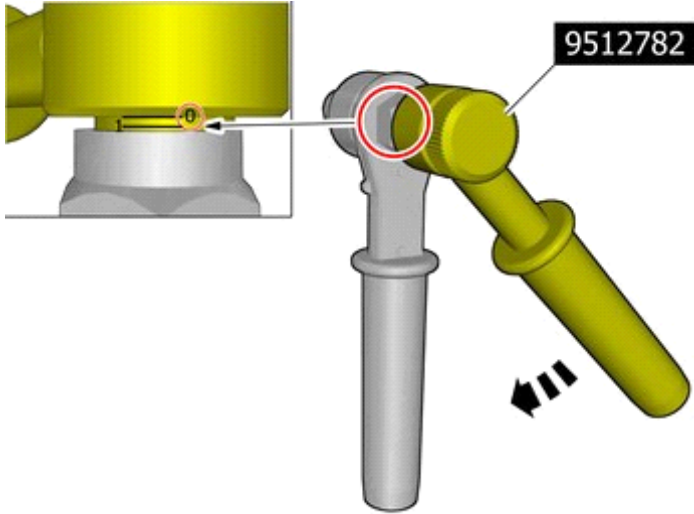
**Note!**  
Orientation view



# Installation instructions, accessories

Volvo Car Corporation Gothenburg, Sweden

8



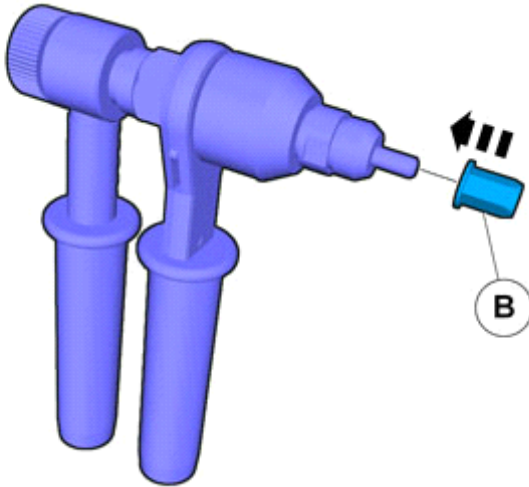
9512782

**Use special tool:** T9512782, Rivet nut tool

Reset the tool.

IMG-372305

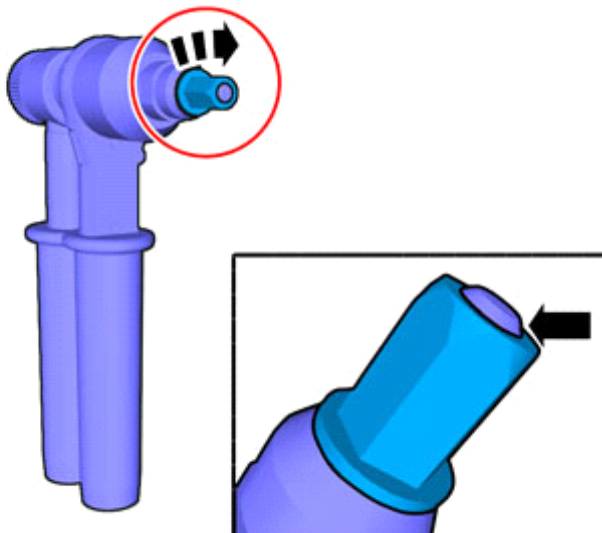
9



B

IMG-367096

10



Use hands only.

The outermost thread of the tool should be flush with the rivet nut end.

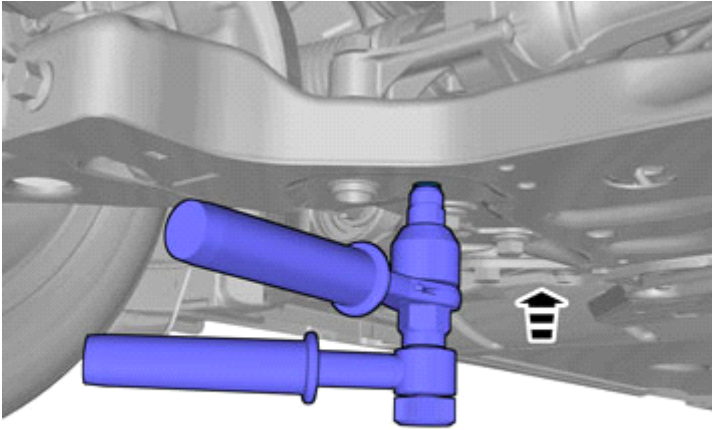
IMG-367098



# Installation instructions, accessories

Volvo Car Corporation Gothenburg, Sweden

11

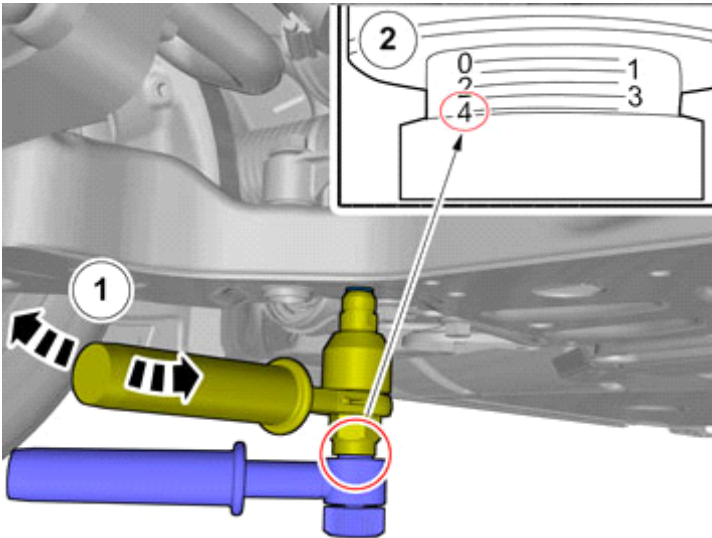


Press the tool against the surface.

Hold the tool at right angles to the surface.

IMG-372295

12



Tighten to the value stated.

IMG-372296

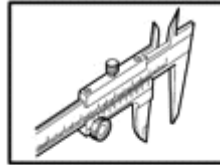
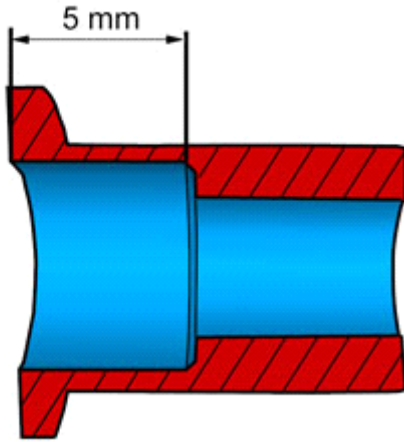




# Installation instructions, accessories

Volvo Car Corporation Gothenburg, Sweden

13

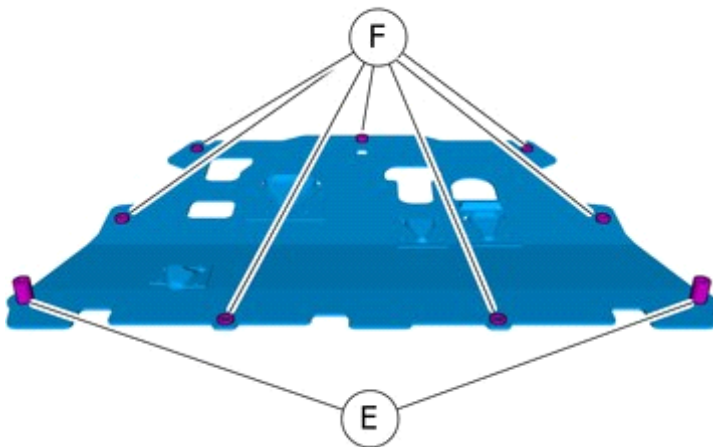


Measure

**Use:** Vernier caliper

IMG-373060

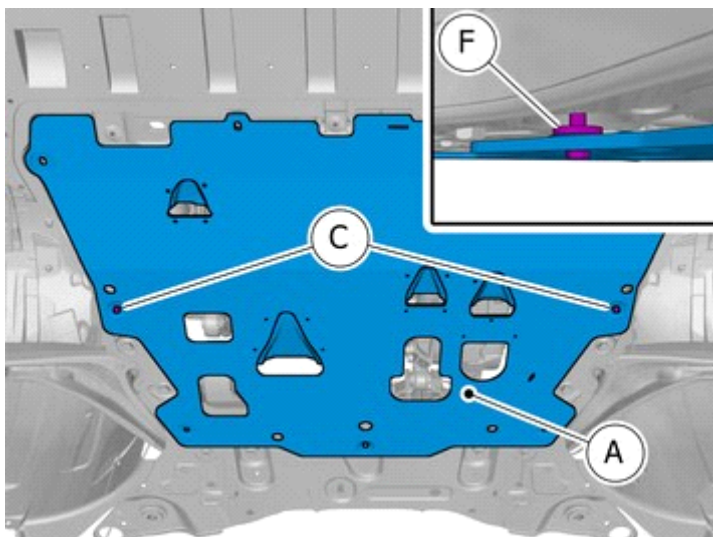
14



**Note!**  
Orientation view

IMG-393378

15



**Note!**  
Do not fully tighten the bolts.

Install component that comes with the accessory kit.

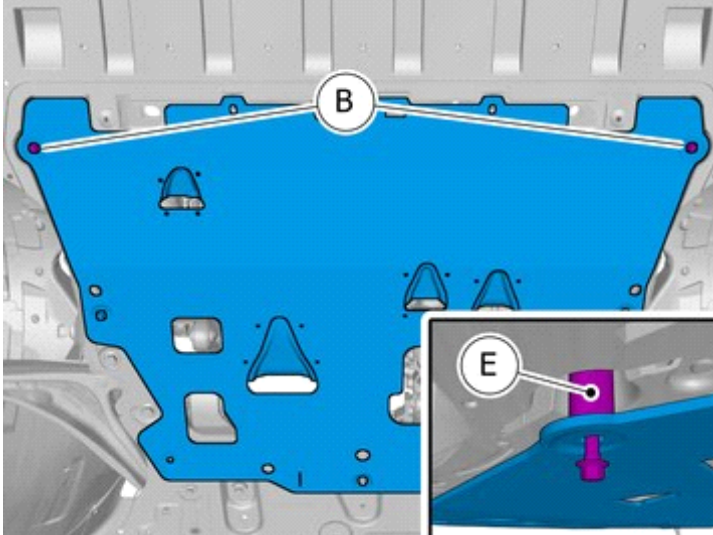
IMG-397990



# Installation instructions, accessories

Volvo Car Corporation Gothenburg, Sweden

16



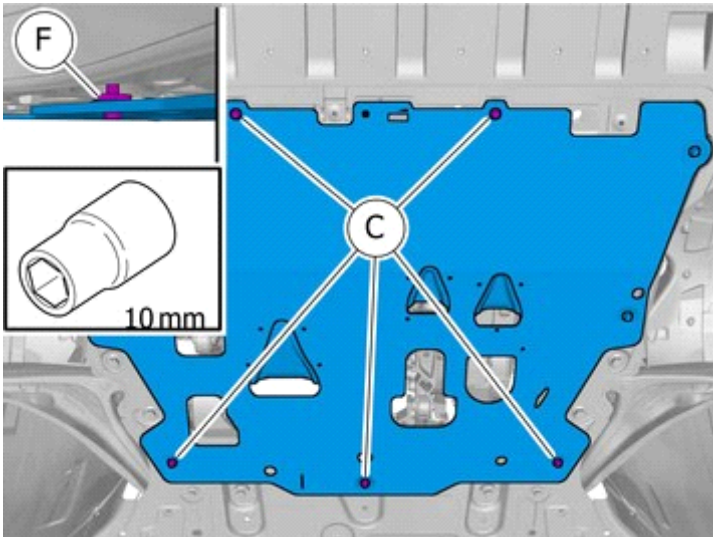
IMG-397994

**Note!**

Do not fully tighten the bolts.

Install the screws.

17

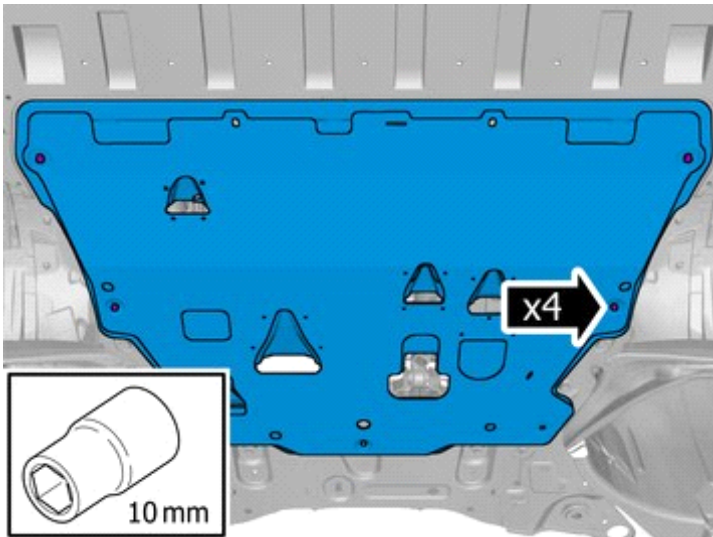


IMG-397996

Tighten the bolts.

**Tightening torque:** M8 , 24 Nm

18



IMG-398210

Tighten the bolts.

**Tightening torque:** M8 , 24 Nm



# Installation instructions, accessories

Volvo Car Corporation Gothenburg, Sweden

---